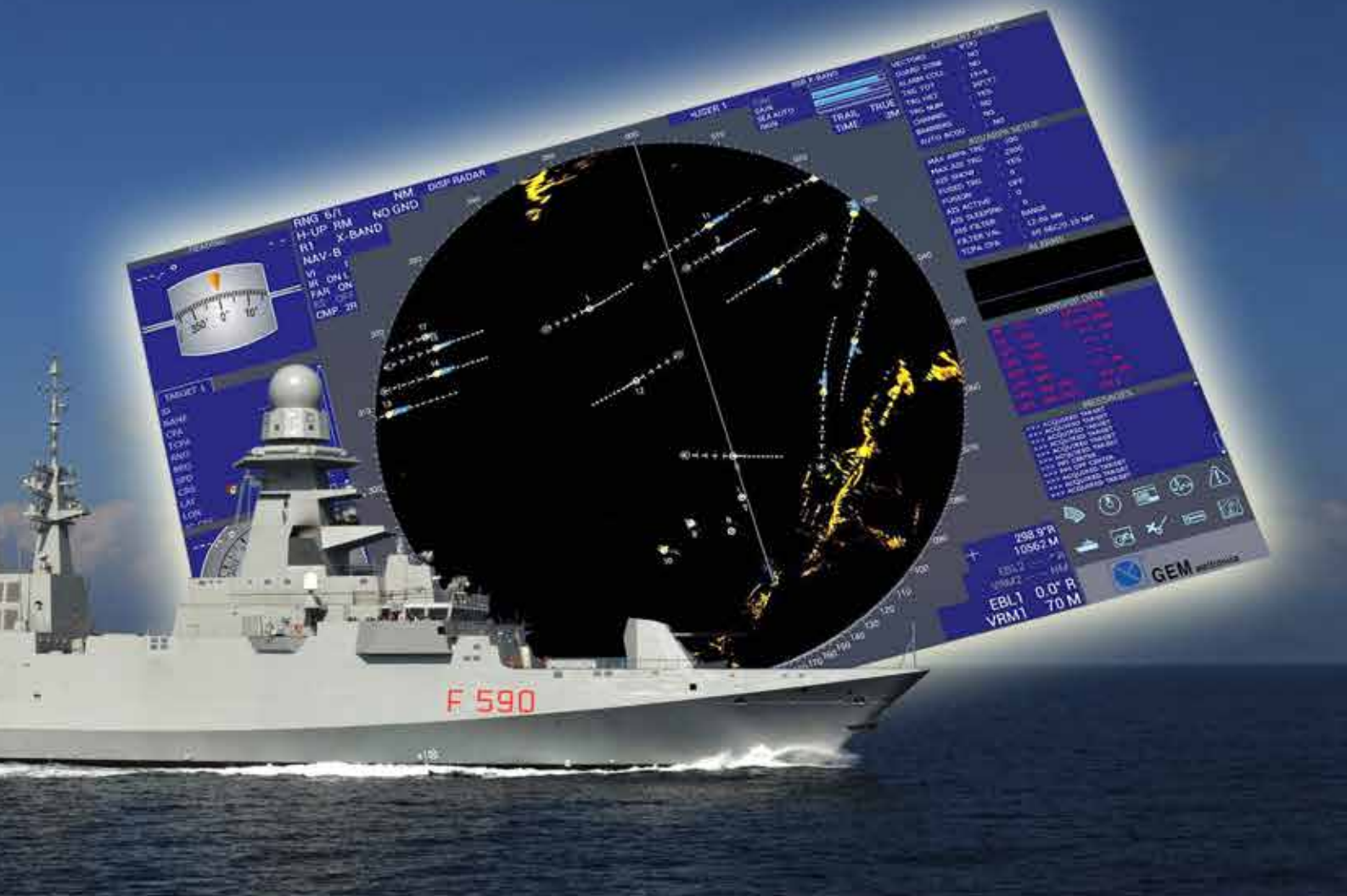




X-BAND FULL SOLID STATE

SeaEagle-200N

UNIQUE INNOVATIVE DIGITAL
NAVIGATION RADAR



Sea Eagle-200N

The Sea Eagle-200N is a new navigation radar of modern design based on Solid State Power Amplifier (SSPA) and digital technology. Suitable for use on Naval Units of any size and type, for missions that require a system with high operational performance and high reliability of operation. The radar transmits in the X-band allocated to maritime radars and meets the requirements related to the occupation of the electromagnetic spectrum described in the ITU-R recommendations. Transmission is available immediately after power up.

IMPROVED SAFETY AND SECURITY

Sea Eagle-200N can be considered as a family of radar designed with the strictest quality standards which uses the most advanced digital technologies able to ensure an high level of detection of small naval targets and excellent safety of the ship's conduct. It is fully compatible with the IMO resolution MSC.192 (79) and the related international standard IEC 62388 ed. 2. The radar system provides performance of Navigation, Surveillance and Control.

INCREASED CAPACITY

The Sea Eagle-200N provides an high level of detection and automatic tracking of targets, with an high resolution and discrimination capacity, using a compact and light antenna. The radar employs a new generation of high performance coherent transmitter-receiver system, based on the frequency modulated pulse compression technique.

OPEN ARCHITECTURE

The radar system has an open architecture that allows supporting different levels of integration when interfaced with the on-board system. It can meet various mission requirements through serial / analog and Ethernet interfaces.

VERY HIGH RELIABILITY AND MAINTAINABILITY

The technological solutions adopted and the high quality of the components used guarantee the Sea Eagle-200N high reliability and long service life, low maintenance and low life cycle cost. The radar has been designed and built to operate reliably 24 hours operation all year around, with full operational performance even in the most adverse marine environmental conditions. An automatic test - BITE device and software facilitate an easy and efficient maintenance.

CAPABILITY FOR SELF-DEFENCE

The system is able to interface with external self-defence systems, or with the Command & Control for the target designation function. The target designation message, containing the position and the kinematic data, can be sent by ship bus or by a point-to-point connection of the RS422 type.

INTERFACE WITH ELECTRO-OPTICAL SYSTEMS

The system is able to interface, as an option, with external systems of vision (Daylight Camera, IR Camera) for the presentation in a special window, on the operator console, of the video coming from such systems.

CONTROL CAPABILITIES

Sea Eagle-200N incorporates an operating system that provides remote control and monitoring of radar operation in the ships Command & Control room via communication link.

INTERFACE WITH WAIS SYSTEM

The system is also able to fully interface the WAIS sensors, for a correct representation of the "maritime picture", consisting of cooperating targets, civil traffic and possible asymmetric threats. The message of the WAIS apparatus can be received by ship bus or by a point-to-point connection of the RS422 type.

PERFORMANCE HIGHLIGHTS

- High level of targets detection, with a high resolution and discrimination capacity, using a compact and light antenna;
- Automatic detection of small and large naval targets with Extraction of plot and tracking with automatic start of Track While Scan (TWS);
- LPI waveform configuration able to reduce dramatically the probability of interception by potential hostiles ESM systems (optional);
- Extensive multifunctional capacity of the display with: electronic charts (optional) and data overlay support; AIS targets fusion and information;
- Capability for easy integration with C4I assets;
- Local and remote operation;
- Innovative Human Machine Interface (HMI) with modern user-friendly windows based operation;
- Very High resolution LCD TFT Display;
- Easy installation with minimum amount of units and connecting waveguide and cables;
- High reliability with extensive automatic BITE;
- Improved Maintainability;
- Extensive growth capabilities;
- Compact, light weight and low power consumption system.

ADOPTED TECHNOLOGIES

GEM elettronica UNIQUE AND REVOLUTIONARY DESIGN OF ANTENNA GROUP WITH FULL SOLID STATE TRANSMITTER/RECEIVER RECOGNIZED FOR VERY HIGH RELIABILITY



Radio Board Module



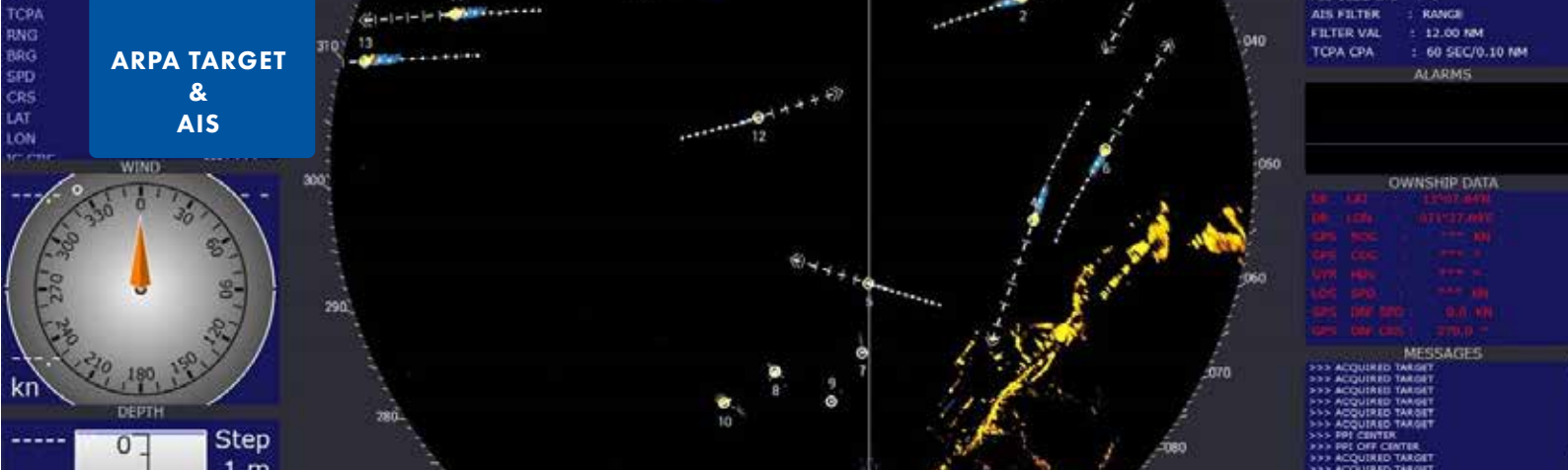
Radar Signal Processor



SSPA Module

TRANSMISSION / RECEPTION

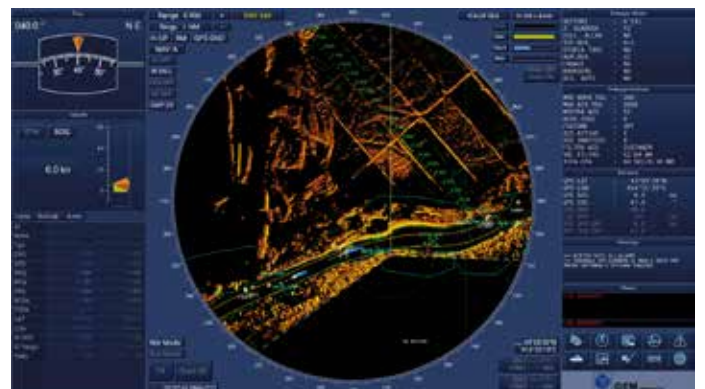
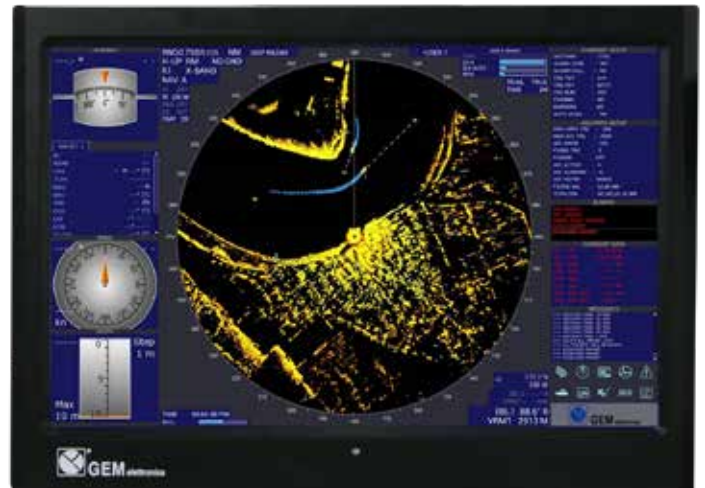
- Transmission through the use of a new generation of compact and light Solid State Amplifier (SSPA) module designed in house;
- Frequency Modulated Pulse Compression;
- Advanced Coherent Processing;
- Pulse Doppler Filtering;
- State-of-the-art digital signal processing and hardware reduction through the use of the latest generation of FPGA and DSP components;
- Radar features are fully configurable and reprogrammable by software (Software Defined Radar).



Sea Eagle-200N performs advanced detection and tracking by a complete implementation of different processing technology:

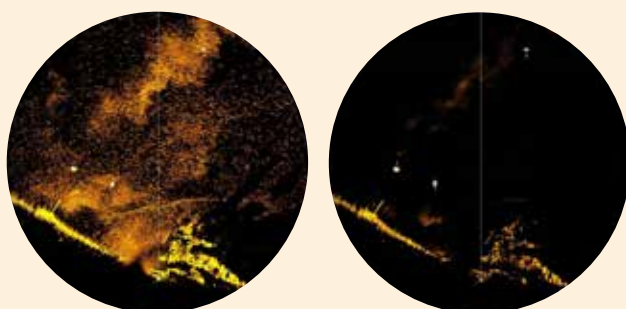
- Pulsed transmission with linear and non-linear chirp (frequency modulation);
- High range resolution and advanced coherent processing;
- Sampling of signals with high dynamic range A/D conversion;
- Doppler filtering for enhanced Signal/Noise ratio (subclutter visibility), to detect very small targets;
- Automatic high resolution CFAR processing (not Gaussian);
- Adaptive STC, pulse-to-pulse correlation; scan-to-scan correlation, with noise and clutter interference suppression;
- PRF stagger control to eliminate interference from other radar sources;
- Dimension plot filters;
- Extraction of plot and tracking with automatic start of Track While Scan (TWS);
- Automatic tracking of surface targets with ARPA functions with high precision performance in compliance with IMO regulations.

DISPLAY UNIT



SEAEAGLE SIGNAL PROCESSING ANTI-CLUTTER FEATURES

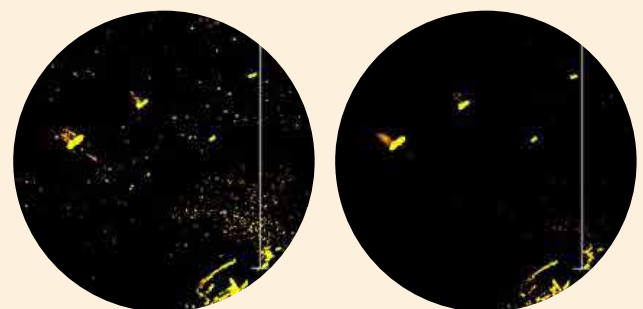
ADAPTIVE CLUTTER REJECTION IN EXTREME RAIN AND SEA CONDITION



NOT FILTERED

FILTERED

SCAN TO SCAN CORRELATION

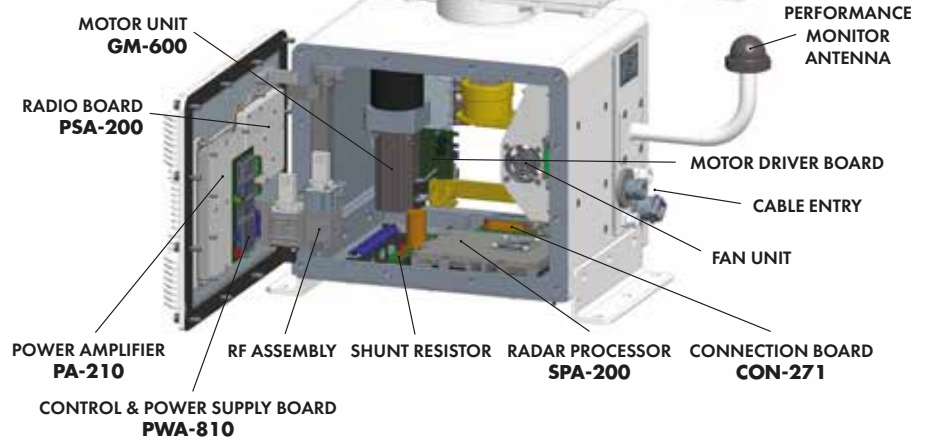


NOT FILTERED

FILTERED



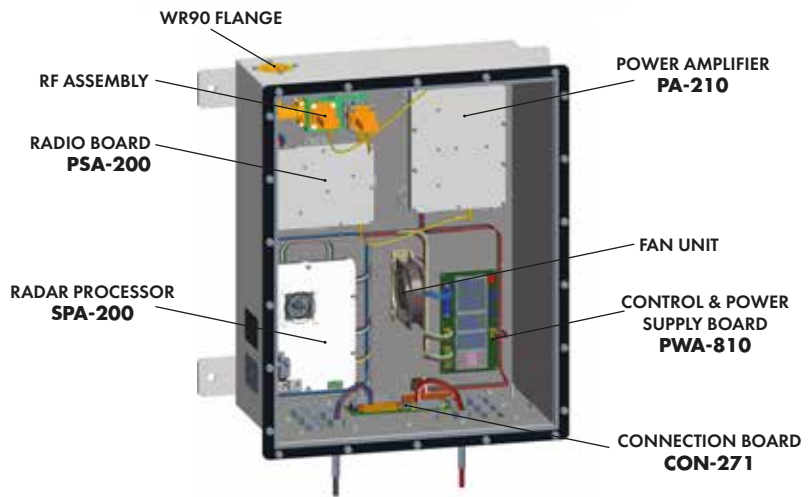
ANTENNA GROUP FOR UPMAST VERSION



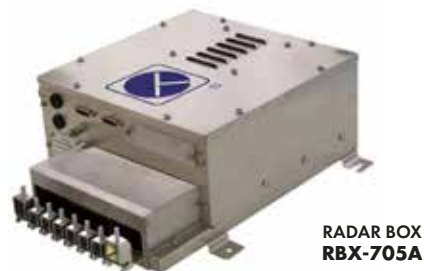
ANTENNA GROUP FOR DOWNMAST VERSION



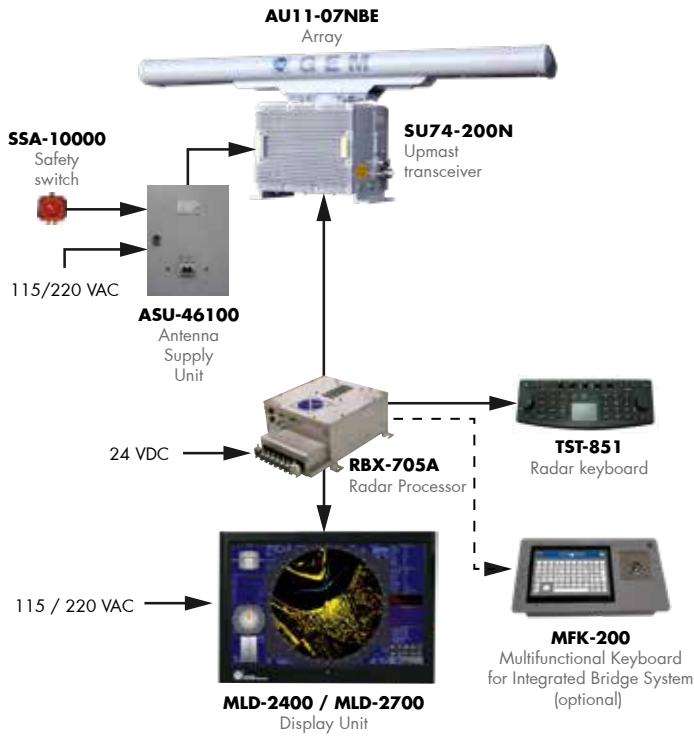
TRANSMITTER-RECEIVER FOR DOWNMAST VERSION



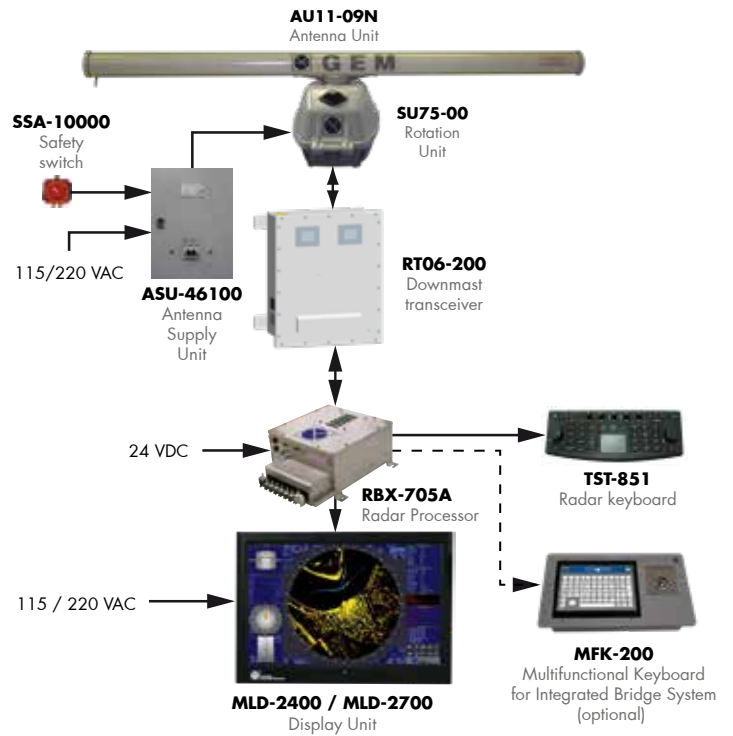
RADAR PROCESSOR



UPMAST VERSION



DOWNMAST VERSION



EQUIPMENT CONFIGURATION

Item	Upmast version			Downmast version		
	ASX-0690	ASX-0790	ASX-0990	ASX-0680	ASX-0780	ASX-0980
Antenna Group	AU11-06NBE	AU11-07NBE	AU11-09NBE	AU11-06NBE	AU11-07NBE	AU11-09NBE
Antenna unit	SU74-200N			SU75-00		
Rotation unit	Embedded in antenna group			RT06-200		
Transceiver	ASU-46100			ASU-46100		
Antenna supply	SSA-10000			SSA-10000		
Safety switch	RBX-705A			RBX-705A		
Radar processor	MLD-2400 / MLD-2700 desktop or IBS or MLSA-2400 / MLSA-2700 Stand alone consoles			MLD-2400 / MLD-2700 desktop or IBS or MLSA-2400 / MLSA-2700 Stand alone consoles		
Display	TST-851			TST-851		
Keyboard	T550B			T550B		
Trackball						

OPTIONAL FEATURES

• Dual system configuration

The Sea Eagle-200N radar is available on request in the "Dual" X-Band configuration or combined with the S-Band radar Sea Eagle-200S solid-state model (in this system an ethernet switch unit is required). In case the Transceiver in operation has a failure, the processing software switch-over to Transceiver in standby automatically.

• Oil Spill Detection and Wave Height

The Sea Eagle-200N radar, when equipped with the optional Model OSD-WH (Oil Spill Detection) processing unit, can detect areas contaminated by oil spills on the sea surface. The OSD operates in parallel with the radar system constructing a 2D scenario without affecting its operation in any way.

• LPI Configuration * (Low Probability of Intercept)

LPI configuration is able to reduce dramatically the probability of interception by potential hostiles systems while ensuring, at the same time, the capability of target detection. The transmitter, thanks to its low power, wide bandwidth, frequency variability, and dedicated processing algorithms, makes interception by radar warning and electronic intelligence receivers very difficult.

* For the LPI version of the Sea Eagle-200N radar an export authorization is required by the Italian Authorities

• DEICING System

In areas where extremely low temperatures are recorded, it is recommended to use the deicing system that is activated remotely. The shutdown is automatic and makes the radar system operating ready to use in a very short time.

• GEM elettronica specific software applications

GEM elettronica has developed specific software for Navigation, Long Range Surface Surveillance, Search and Rescue applications, Integrated Bridge Software and Command & Control Software.

ANTENNA GROUP UNIT

Type Slotted waveguide array
Beam width and sidelobe attenuation

Radiation type	X-Band			S-Band
	6 ft	7.5 ft	9 ft	12 ft
Length	6 ft	7.5 ft	9 ft	12 ft
Horizontal beam width	≤1.25°	≤1.05°	≤0.85°	1.8°
Vertical beam width	23°	23°	23°	25°
Sidelobe within ± 10°	≤-27 dB	≤-27 dB	≤-27 dB	≤-24 dB
Sidelobe outside ± 10°	≤-30 dB	≤-30 dB	≤-30 dB	≤-30 dB
Gain	≥ 29 dB	≥ 30 dB	≥ 31 dB	≥ 32 dB

Polarization Horizontal
VSWR ≤ 1.2:1
Rotation 16 rpm to 42 rpm (for high speed craft)
Wind load Operational: 100 kn relative
Survival: 120 kn relative

Performance Monitor Embedded in Antenna Group
Antenna Group Color RAL 9003 White - RAL 7042 Grey

TRANSCIVER UNIT

RTX Type Solid State Power Amplifier (SSPA) / Coherent two-channel receiver Superheterodyne / Digital configuration with functions defined by the software (Software Defined Radar) / Pulse compression techniques
Output Power 200W (equivalent to magnetron radar 25 Kw)
TX Frequency X-Band from 9300 to 9500 MHz
Pulse repetition rate (PRR) from 350 to 5000 Hz
Pulse width from 0.05 µs up to 93 µs
Sector blanking Available
Receiver Coherent, two channel 16 bits sampling
Dynamic range ≥ 130 dB (with RF STC)
Built-In Test Equipment (BITE) Fully integrated in all modules, covering also RF parts
Reliability Up to 160,000 hours (MTBF)

POWER SUPPLY

Antenna Supply Unit (powering Antenna Group and Transceiver)	single phase 88 – 264 VAC, 47-63 Hz, 800W max
Radar Processor (powering keyboard and trackball unit)	24 Vdc ± 10%, 100W max
Display unit	single phase 88 – 264 VAC, 47-63 Hz, 50 W max

DISPLAY UNIT

Type	color TFT LCD	
Diagonal size	24"	27"
Format	16/9	
Presentation mode	PPI (Plan Position Indicator) color raster scan with day / night palettes, user friendly MMI and symbols and colors as per IMO/IHO recommendations	
PPI effective diameter	≥ 270 mm	≥ 320 mm
Display resolution	1920 x 1080 pixel	
Brilliance	300 cd/m ²	
Contrast ratio	3000:1	1000:1
Viewing angle	89° in any direction (typical)	
Remote visibility	about 1.07 meters	about 1.08 meters

ENVIRONMENTAL CONDITIONS

Sea Eagle-200N is designed to operate in a reliable and continuous mode, with full operative performances, in the environmental conditions specified in the following table:

Unit	Operating temperature	Protection grade
Antenna Group*	from - 25°C a to 55°C (storage from -28°C to +70°C)	IP66
RTX Processor	from -15°C to + 55°C (storage from -15°C to +70°C)	IP20
Display unit		IP22

Relative Humidity Sea Eagle is designed to maintain the expected reliability when it is exposed to a relative humidity of 95% to + 40°C
Vibration IEC 60945 Ed.4
Shock IEC-62388 (17.3.2) (antenna only)
* With optional anti-icing device (De-icer) extended temperature: from - 40°C to + 55°C

De-Icer On: when temperature goes down to 1°C
Off: when temperature goes up to +3°C

RADAR PROCESSOR UNIT - MULTIFUNCTION

Radar Presentation Features Radar Only Operation – (Chart Radar Optional)
Presentation of own ship data Symbol, position of own ship in latitude / longitude, speed and course
Minimum range Better than 30 mt on 10 m² target (short range)
Range discrimination Better than 30 mt on 10 m² target (short range)
Range Accuracy 1% of the maximum range of the scale in use or 10 mt, whichever is the greater
Azimuth discrimination Better than 2.5° (6' antenna) / 2.3° (7.5') / 2.0° (9')
Bearing Accuracy ± 0.5°
Heating time Not necessary
Indicator/Marks Heading mark, North mark, bearing mark, Cursor, Range rings, VRM, EBL, Target trail, Acquisition zone
Presentation mode Relative mode: HEAD UP/NORTH UP/ COURSE UP
True mode: NORTH UP/COURSE UP

Range Scale

Range (NM)	0.0625	0.125	0.25	0.5	0.75	1.5	3	6	12	24	48	96
RI (NM)	0.03125	0.0625	0.125	0.125	0.125	0.25	0.5	1	2	4	8	16
Number of rings	2			4			6					

ARPA functions

Tracking targets that maneuver rapidly at speeds up to 70 knots
N.° Target tracking and plots Up to 250 targets and up to 1000 plots
Target initialization Automatic or manual acquisition
Acquisition and tracking range Up to 32 Nm of all acquired targets
Vector mode True vector / Relative Vector
Target data refresh rate One antenna scan
Acquisition area (Guard Zone) 2 zone
Past Position Display 8 points in the interval of up to 5 minutes
Parameter of Safe limit Close Point of Approach (CPA) from 0.1 to 9.9 n.m. / Time of CPA (TPCA) from 1 to 90 minutes
Alarm indication Mark on the display with Visible/Audible alarm
Trial Maneuver Included

AIS function

AIS number Up to 2000 AIS tracks
AIS information Standard information: Ship name / Call sign / MMSI / COG / SOG / CPA / TCPA - Detail Information: Bearing/ Distance / Heading / Rate of Turn / Ship Position
AIS vector Off or True / Relative variable from 1 to 120 minutes
Dangerous target detection CPA / TCPA
parameter
Radar map 30.000 points
Output tracks to the on-board systems Track time stamp (Universal Time Coordinate – UTC) / Label track / Status track / Track position (distance, BEARING NORTH/TRUE / World Geodetic Spherical model (WGS) 84 Track Latitude / WGS84 Track Longitude / Track speed / Track plot / Track speed / Track / Track quality according to STANAG 5516 / Associated plot.

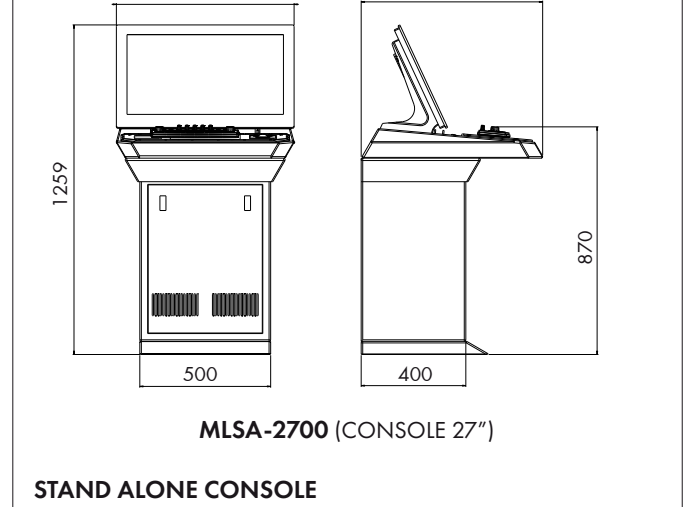
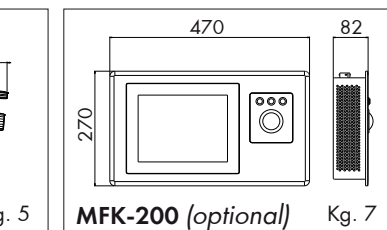
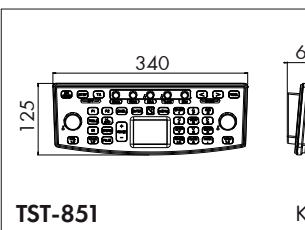
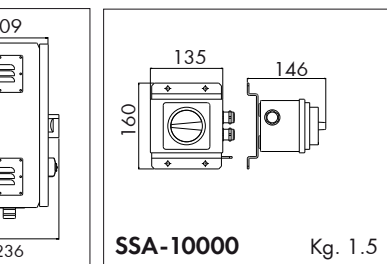
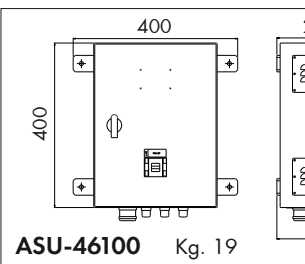
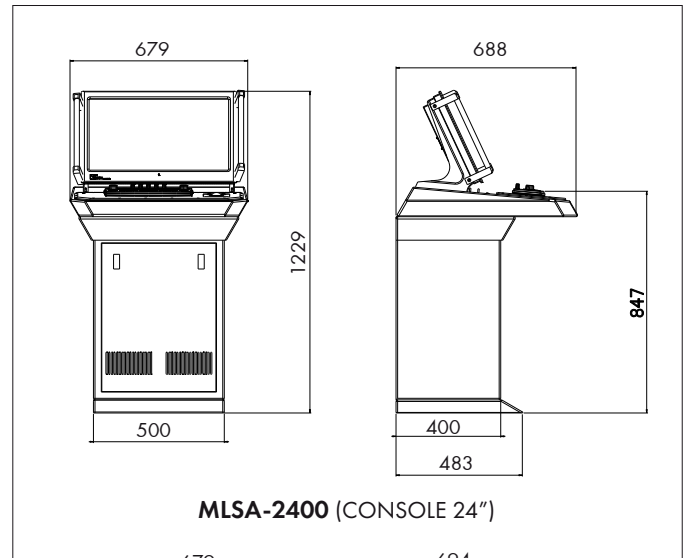
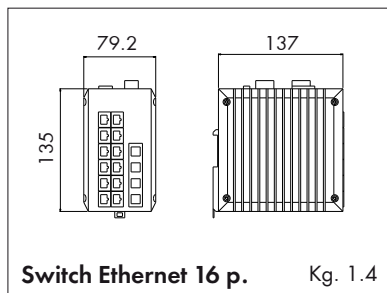
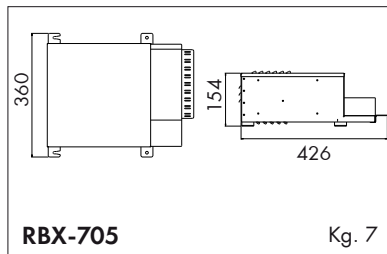
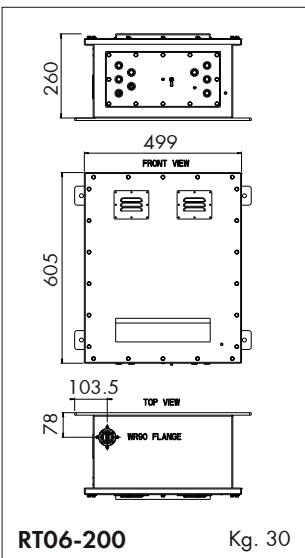
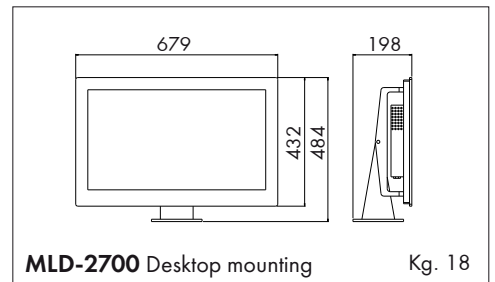
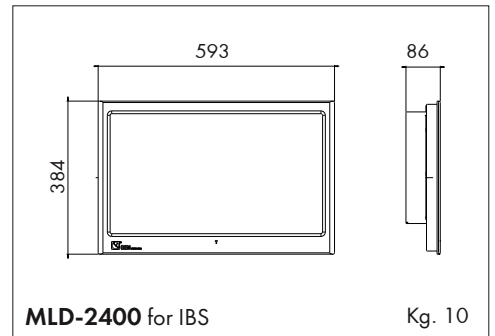
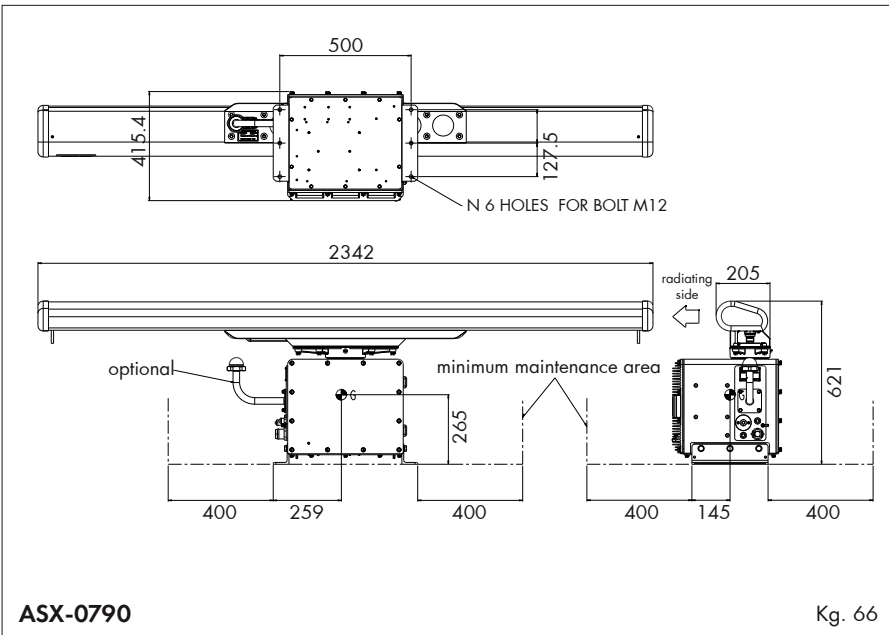
Interfaces

1) Physical interfaces:
Serial: 9 ports (IEC61162 - 2:2 ports, IEC61162 - 1:7 ports) / External alarm: 5 ports (3 60V 0.5, 2 250V 2A) / DVI output: 2 ports (DVI - D) / External LAN: 3 ports (10/100/1000 Mbit / s for radar control, interfaces IEC61162 - 450 or for remote setup, monitoring and control) / Impulsive input: 2 ports (TTL configurable, contact closure, 24V voltage) / Analog input: 3 ports: PILOT, ROT, RSA / Output for ECDIS *: 1 port ACP, Trigger, Video with optional external module / Display: 2 ports (analog control brightness, RS232) / Keyboard: 1 port (RS232, USB connection) / Trackball: 1 USB / USB port: 4 ports (2 external, 2 reserved internal use)
*Option
2) NMEA sentences: (IEC61162 - 1/2, IEC61162 - 450)
Input: Speed: VHW, VBW, VLW / Gyro: HDG, HDT, HDM, THS, XDR / GPS: RMC, GLL, GGA, VTG, ZDA, DTM, GNS / Alarm: ALR / Echo: DBT, DPT, DIV / Wind: MWV, MWD / Bam: ACN, HBT / Pilot: ALA, APA, APB, ZDL / Rot: ROT / RSA: RSA
Output: TTM / TLL / GPT / TLB / TTD

Remote Control Capabilities

Least Fully-Remote and Local Control of Sea Eagle including at, but not only:

- Message on the real status of the Radar system, such as transmission On - Off / The real pulse width in use and the frequency of repetition of the pulses / levels of power transmitted in the interdected sectors (blanked Sector) etc .../
- Health status output messages of all modules and key components (eg RAM), extended built-in test function that also covers components and radiofrequency devices.
- Using the Serial Port connection or LAN: Controlling the operating mode, such as Enable Transmission / Pulse-Width and Pulse Repetition
- Frequency / Offset of the sector with Peak Power Selection Transmitted in Each Sector / Track Inhibition Areas / Target Manual / Automatic Acquisition and Tracking, Radar Processing Parameters.
- Availability of analog (with optional external module) and digital Raw radar video / Capacity control functions of Log Ports and / or LAN Links



Surveillance & Security

Guidance, Navigation & Positioning

Military & Defence

Marine Electronics

This brochure should not be considered a contractual offer. The specifications given herein may be changed by the manufacturer, GEM elettronica S.r.l., without notice.

